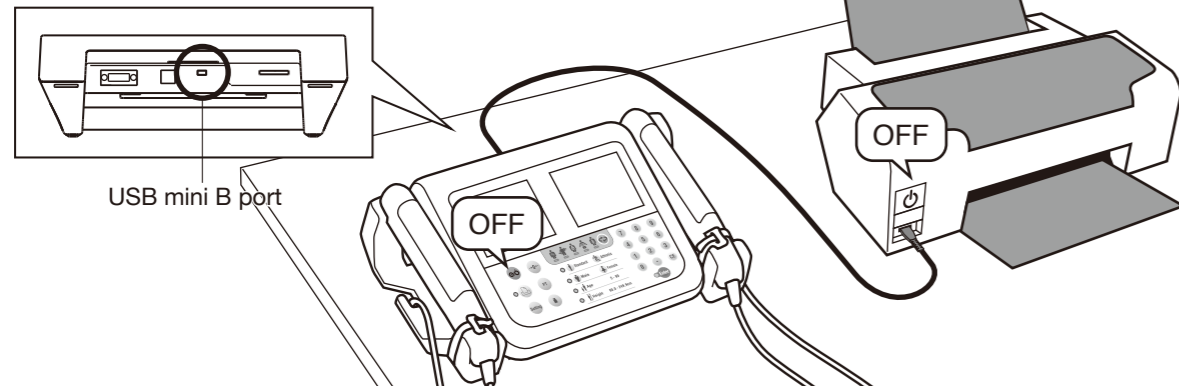


Connection to PictBridge Printer (Any commercially available printer that supports PictBridge can be used)

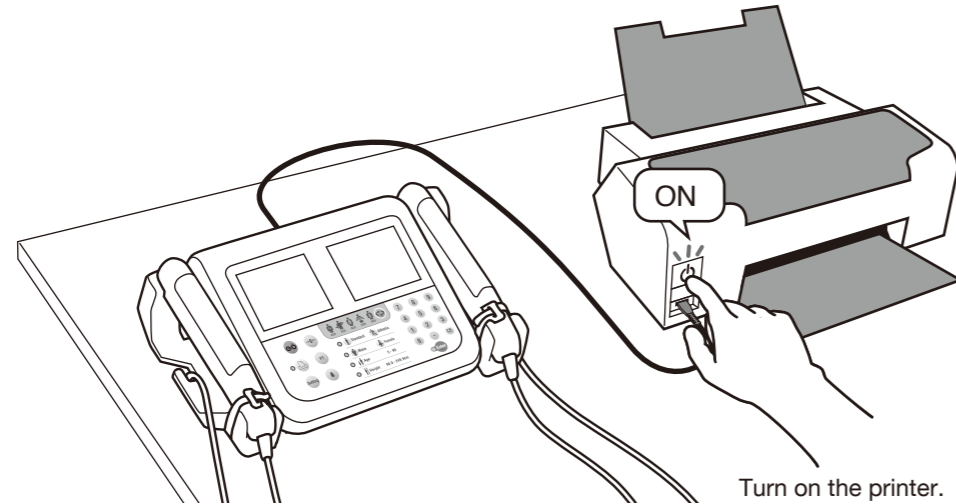
1

Printer is not included with the product.  
Please purchase separately.



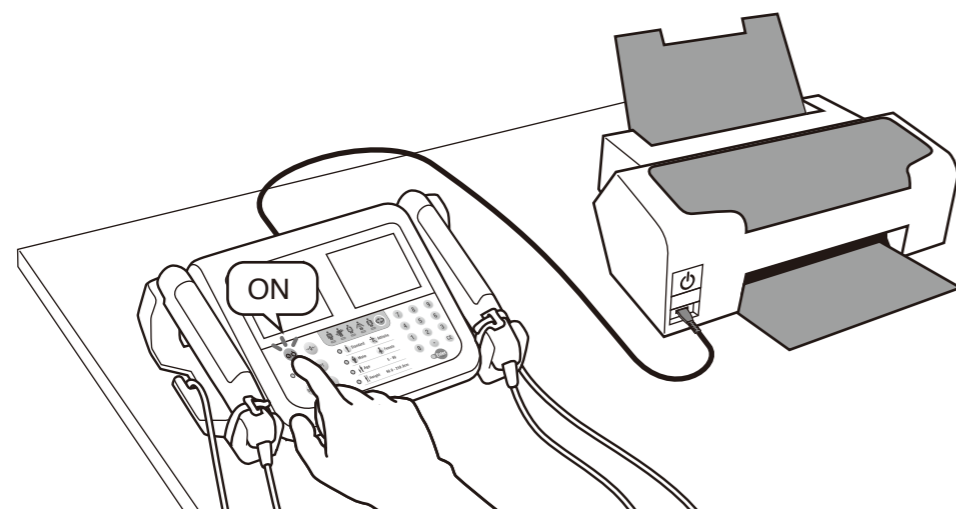
Ensure that both the device and the printer are switched off before connecting the USB mini B cable.  
Connect the USB cable to the USB port with the PictBridge symbol on the printer.

2



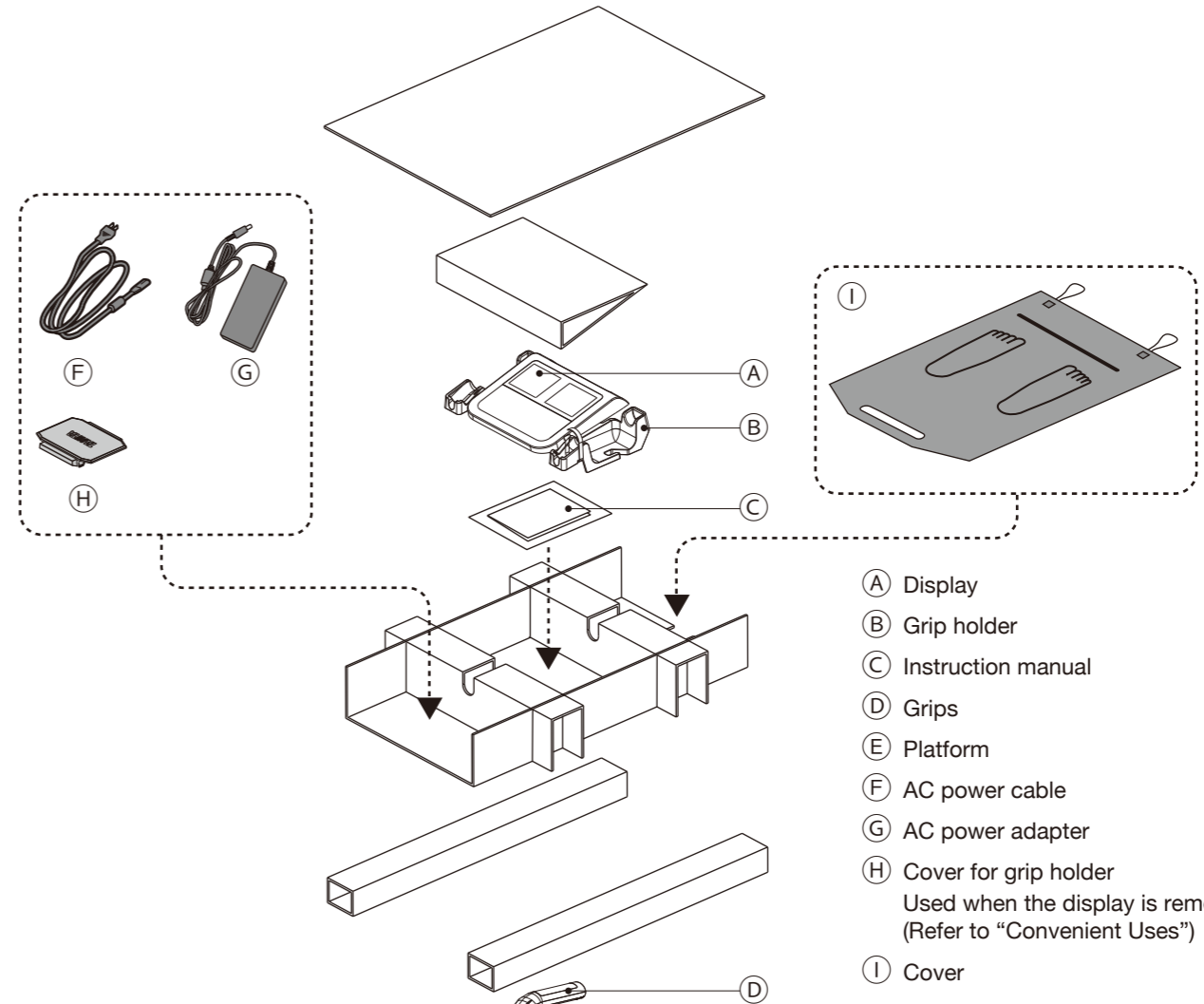
Turn on the printer.

3



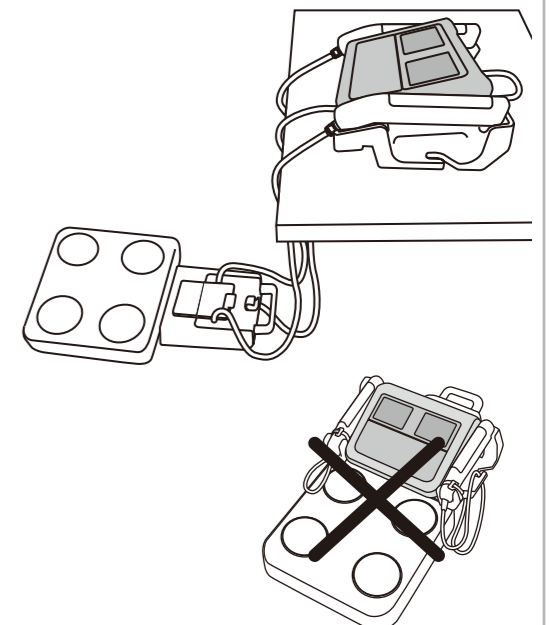
Turn on the device.

Platform/Display/Accessories



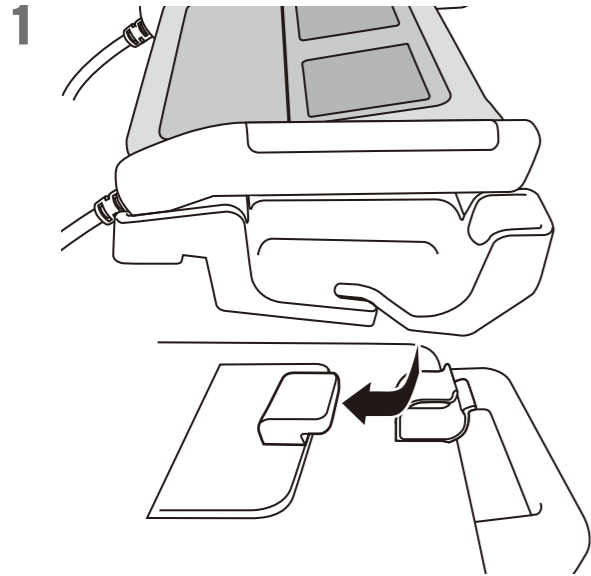
- (A) Display
- (B) Grip holder
- (C) Instruction manual
- (D) Grips
- (E) Platform
- (F) AC power cable
- (G) AC power adapter
- (H) Cover for grip holder  
Used when the display is removed.  
(Refer to "Convenient Uses")
- (I) Cover

Correct Installation

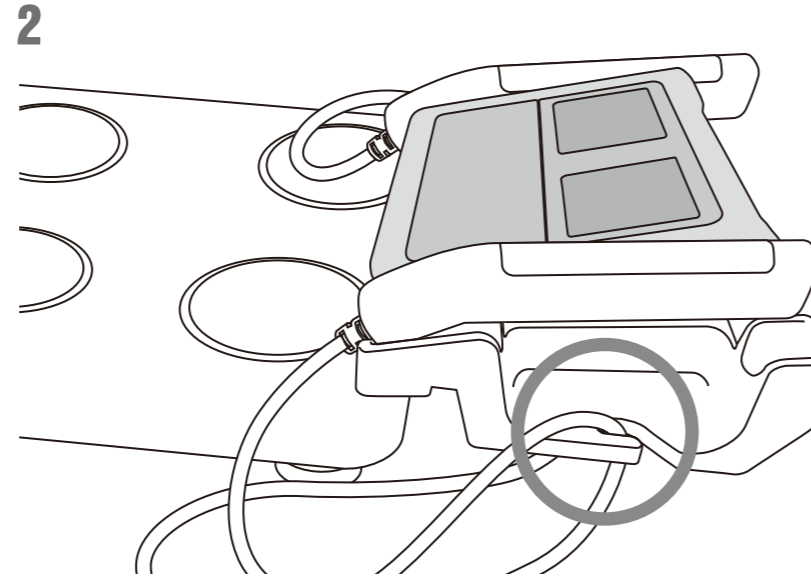


## How to Carry and Convenient Uses

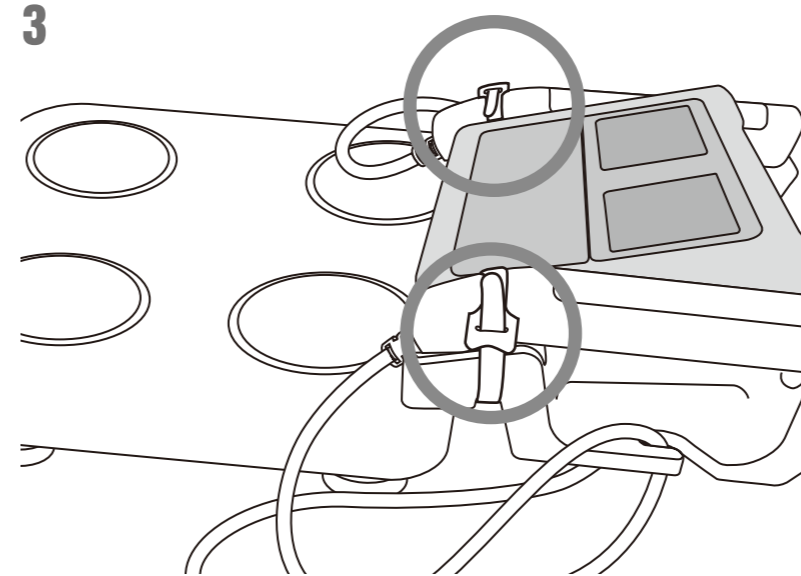
### How to carry



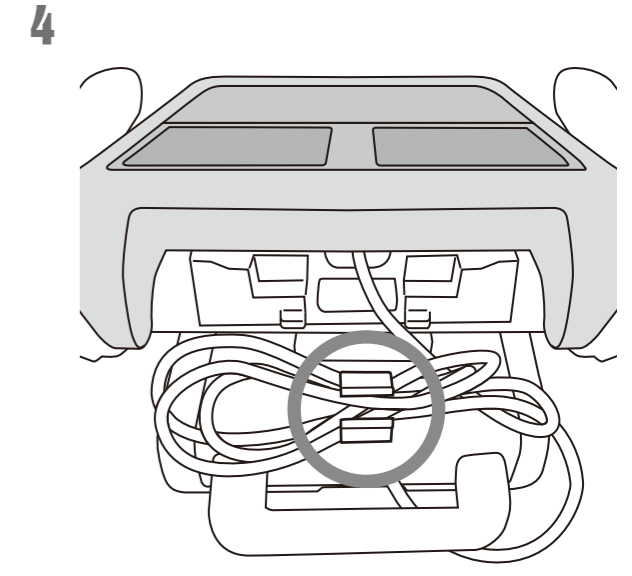
Hook the display into the platform.



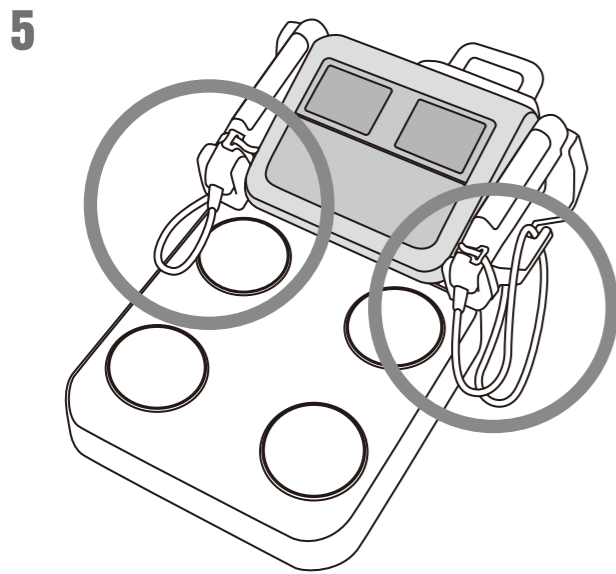
Hang the cables from the hooks located on both sides of the grip holders.



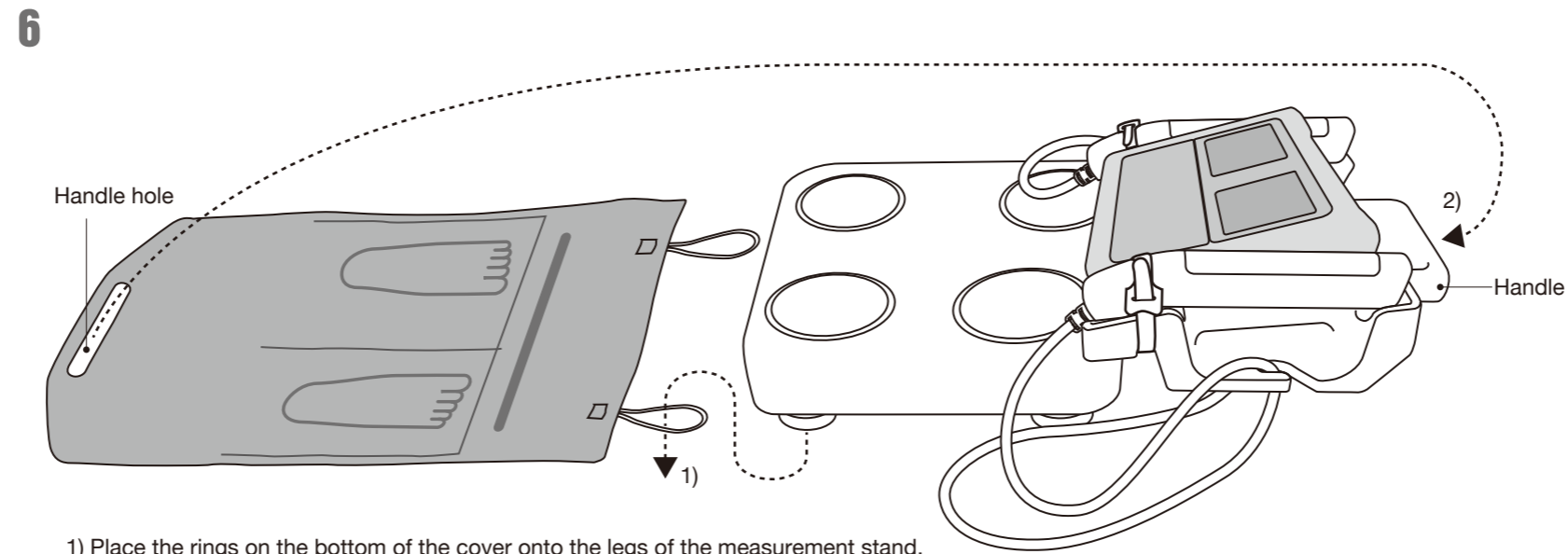
Use the fastening bands to secure both grips to the device.



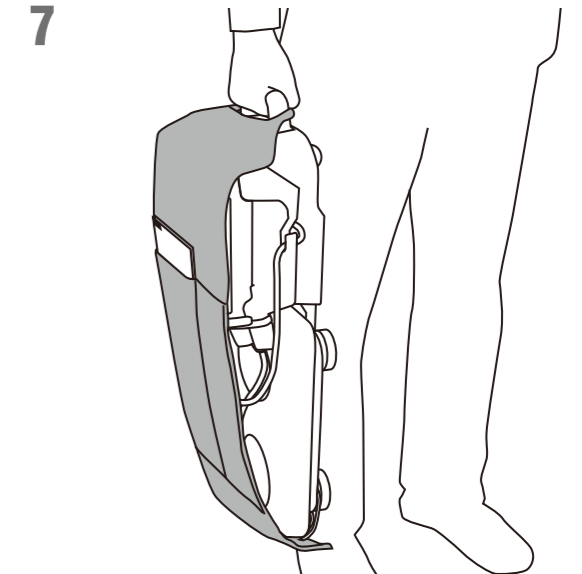
Coil the display cable and fasten it with the clip provided.



Place the cables above the grip holders.



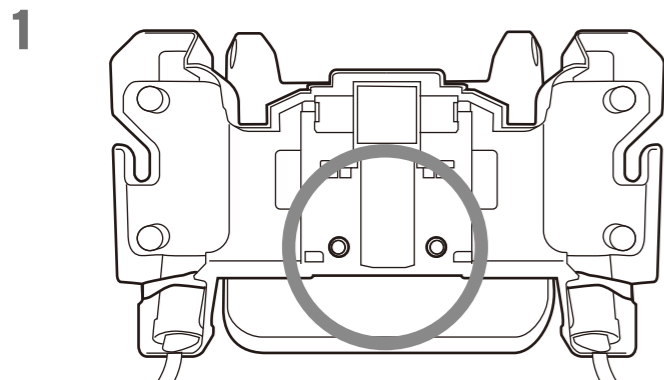
1) Place the rings on the bottom of the cover onto the legs of the measurement stand.  
2) Pass the handle of the platform through the handle hole of the cover.



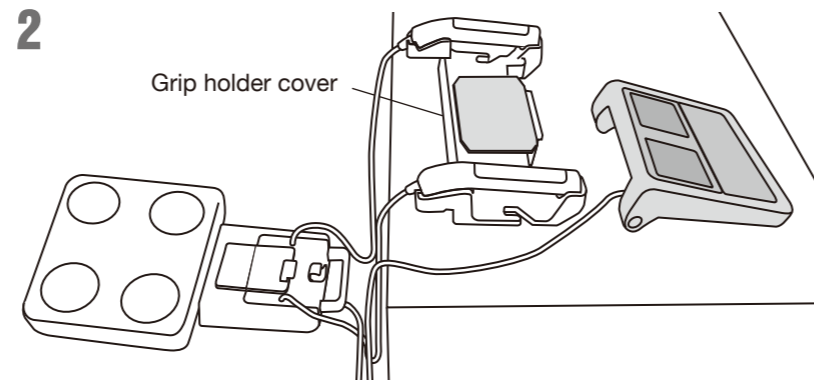
Hold the device by the handle when carrying.

### Convenient Uses

The display can be removed for doctors to view while the patient holds the grips.



Remove the display by unscrewing the two screws located underneath the grip holder.



The grip holder cover is used when the display has been removed from the grip holder.

#### Caution

- When removing the display, be sure to fasten the grips to the grip holders with the fastening bands before turning over to remove the screws.
- Coil up the cable that connects the display with the device before storage.
- Hang the grip cables from the hooks on both sides of the grip holder.